

# BW12

Fusing Resistors Compliant with RoHS2



- It realizes a signal fuse of the rated 265A.
- It can be cut off a circuit by energization to the heater resistor when the abnormal status like over-charging.  
(Resistor part is connected to the fuse part electrically so that fuse part can break contact of resistor part at a time.)
- It realizes the low height type which is 14mm or less.
- Eco-Friendly products being in compliance with RoHS2.  
It does not contain the regulated 10 substances including lead(Pb), cadmium(Cd).

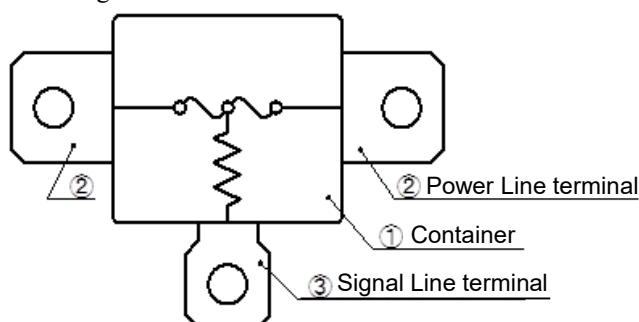
## Rating

Type number	BW12/5R1	BW12/120	BW12/220	BW12/430	Terminals	
Fuse part	Rated current (※1)				265A	②-②
	Rated voltage (※2)				DC 140V	
	Interruptible range				DC84V,265A ~ DC140V,48A	
	Resistance value				0.10mΩ or below	
Fusing Resistor part	Operating voltage range (※3)				20 ~ 30 V    31 ~ 46 V    42 ~ 62 V    58 ~ 88 V	②-③
	Resistance value and tolerance				5.1Ω ±5%    12Ω ±5%    22Ω ±5%    43Ω ±5%	
	Rated power				4W	
Insulation resistance between terminals after fusing-off					2,000MΩ or over	②/②
Withstanding voltage between terminals after fusing-off					AC1,000V	②/③
Operating temperature range					-40°C ~ 120°C	②-② ②-③
Safety standard					UL1412 (UL File № : E106175)	②-③

- ※1 As for continuous applicable current, please contact us separately.  
If the ambient temperature exceeds 45°C continuously, please use BW12 in accordance with the Temperature Derating Characteristics
- ※2 This is maximum voltage at which BW12 can open a circuit under rated current condition.  
Please use BW12 in accordance with the derating curve, if the voltage exceeds DC84V.  
It can accept interrupting voltage up to DC500V. Please feel free to contact us separately in regard of the details.
- ※3 Range of voltage can be changed depending on requests. Please feel free to contact us separately in regard of the details.

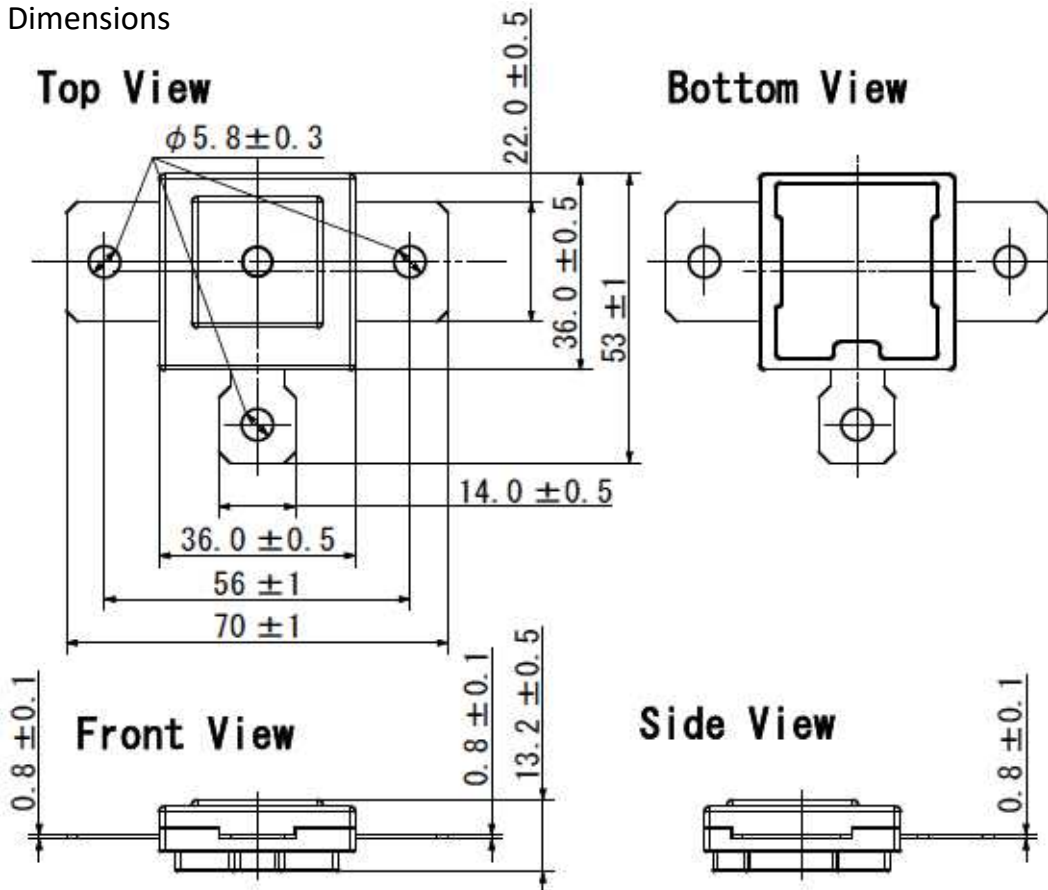
## Constructs

BW12 is a three-terminals fusing resistors that is a combination of two fuses and a resistor and can be installed by fastening M5 screw.



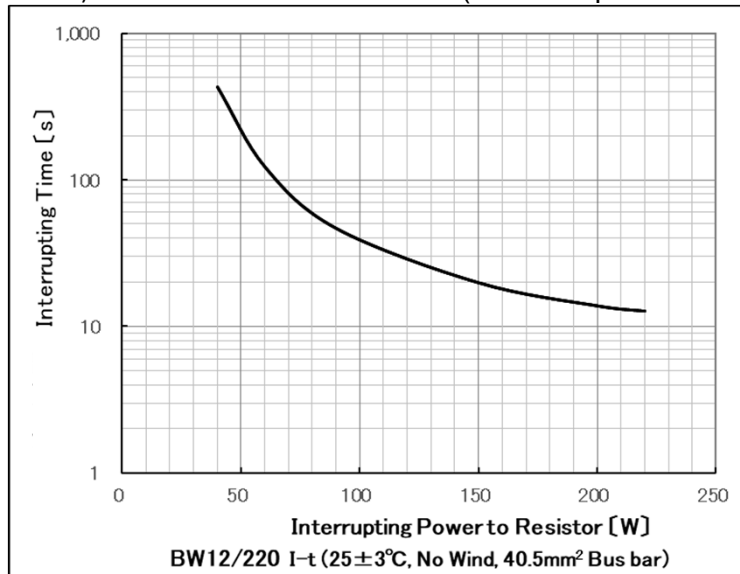
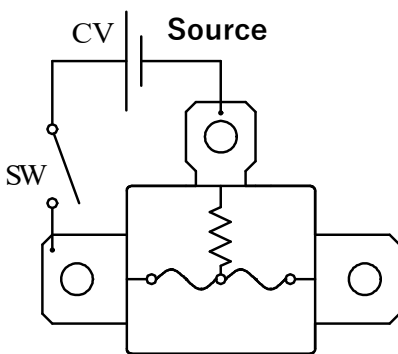
No.	Part Name
①	Container
②	Power Line terminal
③	Signal Line terminal

■ Dimensions



■ Interrupting Time [ W-t ]

SW was closed to apply a predetermined constant voltage to the resistor part of the BW12. The interruption time was then measured. ( Please note that the W-t characteristics would be different in accordance with the terminal conditions. ) (room temp. :  $25 \pm 3^\circ\text{C}$  )



Remark · The data here are representative value and not guaranteed.

Uchihashi Estec Co.,Ltd.

● Head Office  
5-36, Imazu-Kita3-chome, Tsurumi-ku,  
Osaka538-0041, Japan  
TEL+81-6-6962-6666 FAX+81-6-6962-6668

<http://www.uchihashi.co.jp>

2023.12 (rev. 7)