

# BZ08

Fusing Resistors Compliant with RoHS2

Concept  
Model



- Signal fuse capable of DC400V/30A cutoff is realized.
  - It can be cut off a circuit by energization to the heater resistor when the abnormal status like over-charging. (Resistor part is connected to the fuse part electrically so that fuse part can break contact of resistor part at a time.)
  - Eco-Friendly products being in compliance with RoHS2.
- It does not contain the regulated 10 substances including lead(Pb), cadmium(Cd).

## Rating

Type number		BZ08/500	BZ08/800	BZ08/161	Terminals
Fuse part	Rated current (※1)	75 A			③ - ③
	Rated voltage (※2)	DC 510 V			
	Interruptible range	DC245V,75A ~ DC510V,16A			
	Resistance value	0.7mΩ or below			
Fusing Resistor part	Operating voltage range (※3)	40 ~ 54 V	50 ~ 69 V	71 ~ 97 V	③ - ④
	Resistance value and tolerance	50Ω ±5%	80Ω ±5%	160Ω ±5%	
	Rated power	1W			
Insulation resistance between terminals after fusing-off		0.2MΩ or over			③ / ③
Withstanding voltage between terminals after fusing-off		DC800V			③ / ④
Operating temperature range		-30°C ~ 120°C			③ - ③ ③ - ④
Safety standard		expect UL1412			③ - ④

※1 If the ambient temperature exceeds 70°C continuously, please use BZ08 in accordance with the Temperature Derating Characteristics.

※2 This is maximum voltage at which BZ08 can open a circuit under rated current condition.

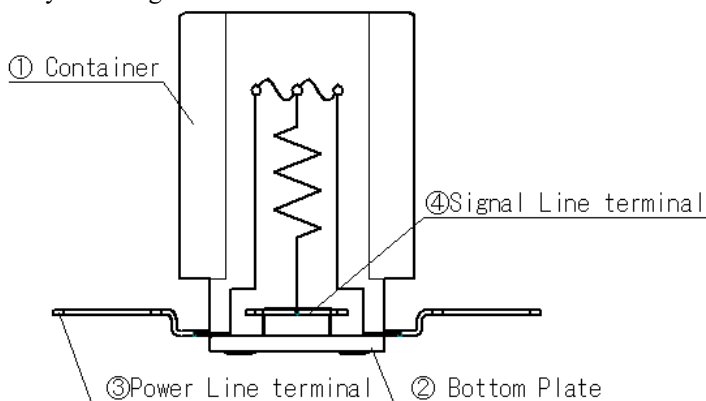
Please use BZ08 in accordance with the derating curve, if the voltage exceeds DC245V.

※3 Range of voltage can be changed depending on requests. Please feel free to contact us separately in regard of the details.

The operating power range is 30~62W.

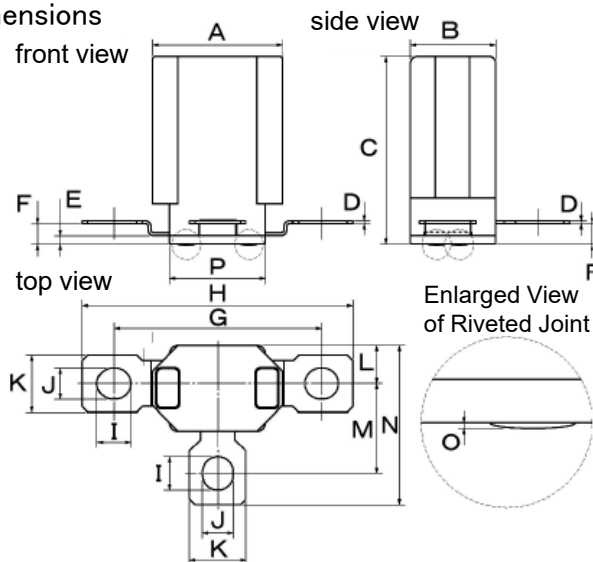
## Constructs

BZ08 is a three-terminals fusing resistors that is a combination of two fuses and a resistor and can be installed by fastening M5 screw.



No.	Part Name	Material
①	Container	PPS
②	Bottom Plate	Phenol Formaldehyde
③	Power Line terminal	Cu,Plating Sn
④	Signal Line terminal	Cu,Plating Sn

## ■ Dimensions

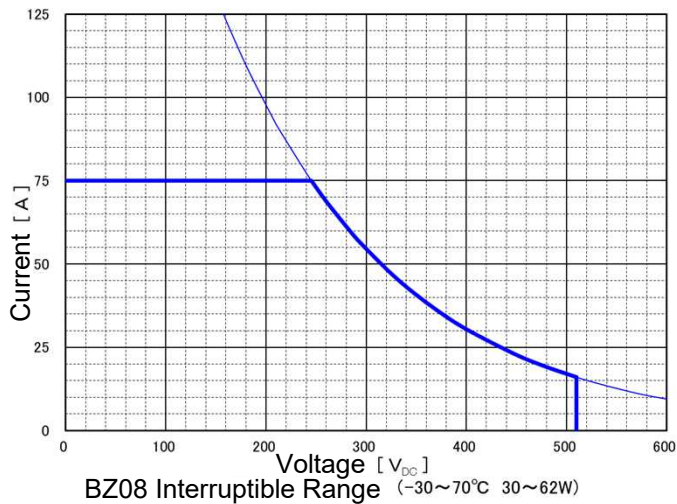


BZ08 FM5 Dimensions ( mm )		
A	B	C
23.0 +0.5/-1.0	15.0 +0.5/-1.0	33.0 ±0.5
D	E	F
0.5 ±0.1	1.5 ±0.5	3.6 ±0.7
G	H	I
36.5 ±0.5	47.5 ±0.5	5.9 ±0.1
J	K	L
5.4 ±0.1	10.0 ±0.1	6.7 ±0.5
M	N	O
15.8 ±1.0	28.0 ±1.0	0.5 or below
P		
17.0 ±0.5		

※ FM5 is identifying symbol of terminal specification.

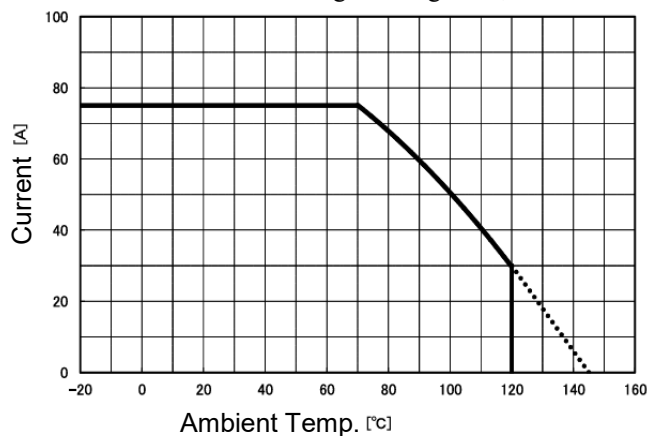
## ■ Interruptible Range (Relation between Current and Voltage)

Use BZ08 in accordance with the following derating chart, if voltage exceeds 180V.



## ■ Derating Curve for Fuse Part

Use BZ08 in accordance with the following derating chart, if ambient temperature exceeds 70°C.



Remark · Please note that above mentioned specification are based on prototype and are subject to change without any notice.

Uchihashi Estec Co.,Ltd.

● Head Office  
5-36, Imazu-Kita3-chome, Tsurumi-ku,  
Osaka538-0041, Japan  
TEL+81-6-6962-6666 FAX+81-6-6962-6668

<http://www.uchihashi.co.jp>

2024. 07 (rev. 2)