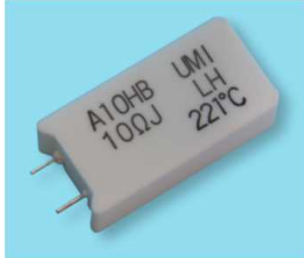


# A10HB

Thermal links / Resistor Assemblies Compliant with RoHS2



- It realizes high heat resistance characteristics using a high-temperature alloy-type thermal link.
- In compliance with AEC-Q200, it is suitable for automotive power supplies being required high reliability.
- The rated wattage is 7.0W.
- It can be applied 7.0W under 60°C condition for 48 hours.
- It can cut off the circuit up to DC420V condition.
- It has been expanded interruptible area of thermal links (compared to our P10K series).
- Eco-Friendly products being in compliance with RoHS2.

It does not contain the regulated 10 substances including lead(Pb), cadmium(Cd).

## Rating

Type number	A10HB /100J-P13	A10HB /160J-P13	A10HB /220J-P13	A10HB /560J-P13	A10HB /561J-P13
Nominal resistance value	10 Ω	16 Ω	22 Ω	56 Ω	560 Ω
Resistance tolerance	4 %				
Rated functioning temperature (Tf)	221 °C				
Rated wattage	7.0 W				
Max. overload power	448W (64 times of Rated wattage )			252W (36 times of Rated wattage)	
Maximum open circuit voltage	264 V <sub>AC</sub> / 500V <sub>DC</sub>				
Operating temperature range	-40 ~ 125 °C				

Rated functioning temperature : The temperature at which the thermal links opens (fuses off) while passing 0.1 amp. or less in a controlled oil bath at arise of 1°C per minute.

Rated wattage : The maximum wattage that can be applied to without fuse-off by the thermal link inside.  
If the ambient temperature exceeds 30°C, please use A10HB in accordance with the derating curve.

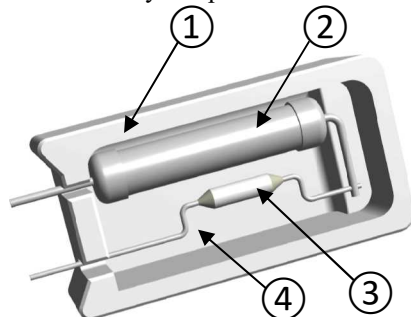
Max. overload power : The maximum wattage at which can interrupt the circuit by the thermal link inside.

Maximum open circuit voltage : The maximum voltage that can be applied between the lead wires after opening the circuit.  
Interruptible voltage condition depends on the resistance value.

※. The rated voltage is a calculated value with  $\sqrt{\text{rated wattage} \times \text{nominal resistance value}}$ .

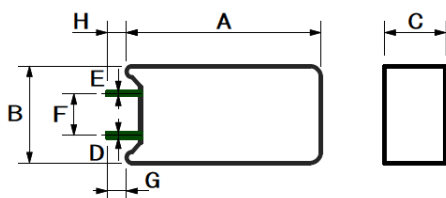
## Constructs

A10HB is a hybrid product that combined an alloy-type thermal link and a wire-wound resistor.



No.	Part Name
①	Ceramic Case
②	Wire-Wound Resistor
③	Thermal Link
④	Cement

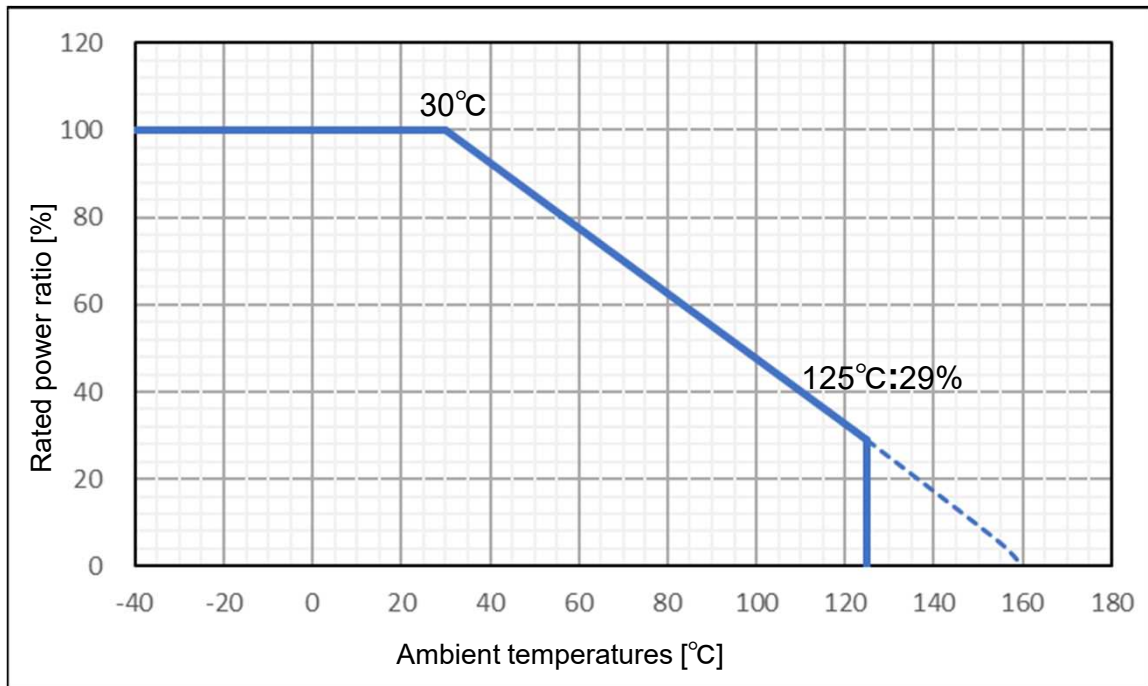
## Dimensions



Dimensions (mm)			
A	B	C	D
34.0±0.5	17.5±0.5	11.0±0.5	φ0.8±0.04
E	F	G	H
φ0.53±0.04	7.5±0.5	3.5+1/-0.5	3.5+1/-0.5

E : Lead wire of thermal links side

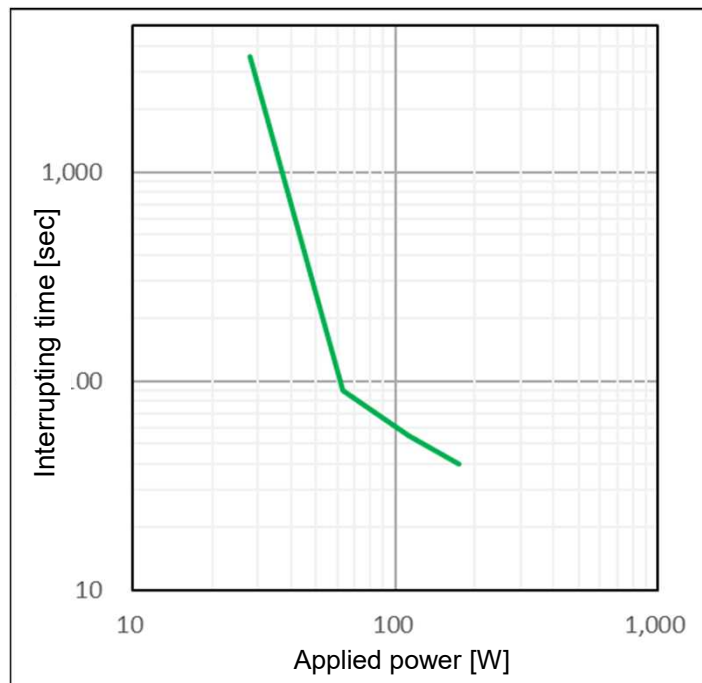
## ■ Derating curve



## ■ Interrupting characteristics

At an ambient temperature at 25°C, the relationship between electrical power and the maximum interrupting time shall comply with the following graph.

Multiple of Rated Power	Fusing Power [W]	Maximum Cut-Off Time [sec]
× 4	28	3,600
× 9	63	90
× 16	112	55
× 25	175	40



Uchihashi Estec Co.,Ltd.

● Head Office  
5-36, Imazu-Kita3-chome, Tsurumi-ku,  
Osaka538-0041, Japan  
TEL+81-6-6962-6666 FAX+81-6-6962-6668

<http://www.uchihashi.co.jp>

2023. 06 (rev. 5)